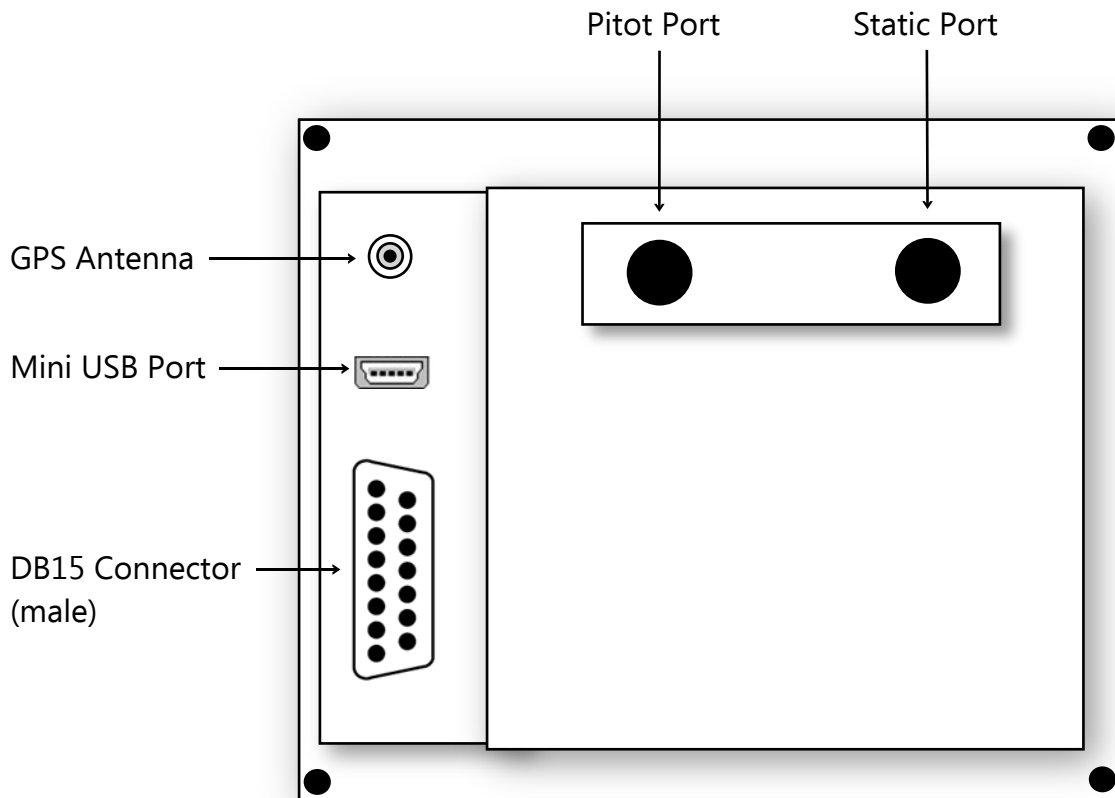


GRT Mini-B and Mini-X Connectors

Pre-Production- Subject to Change

11/21/2013

NOT TO SCALE



*Note: If Pins 3 & 4 are used for remote Trig transponder control in a Mini equipped with a remote magnetometer, the magnetometer must be wired to a serial port.

DB15 Pin No.	Use
1	Serial 2 Out
2	Serial 2 In
3	Remote Mag A/ Trig TT22 A*
4	Remote Mag B/ Trig TT22 B*
5	Serial 1 Out
6	Serial 1 In
7	Ground
8	Power in: 8-30V
9	Serial 3 Out
10	Serial 3 In
11	Remote Mag C
12	Remote Mag D
13	Future Use
14	Future Use
15	OAT